

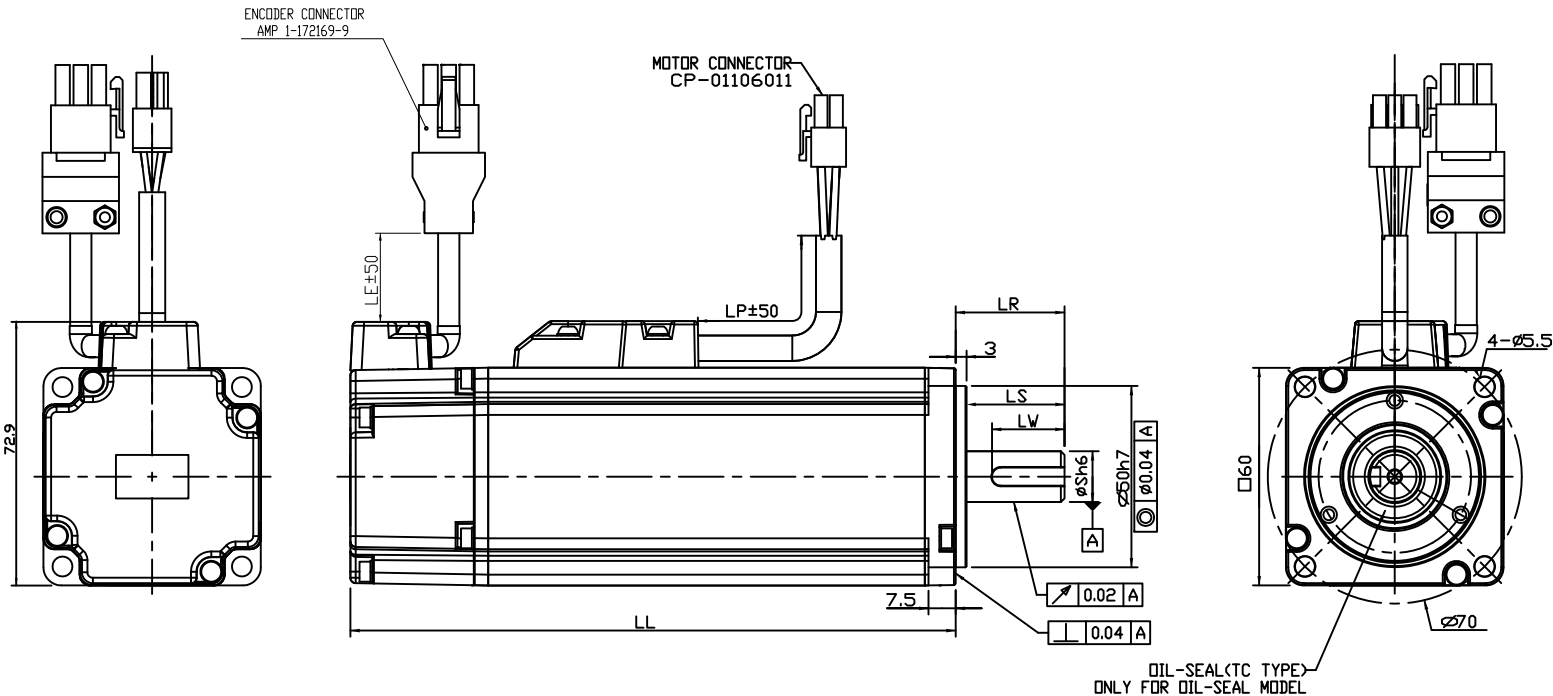
1

2

3

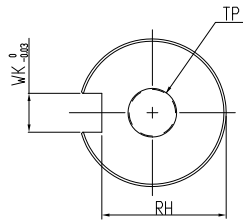
4

REV. ECN NO.

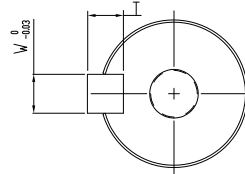


DIMENSION TABLE (MODEL WITH BRAKE)

MODEL	LL	LR	LS	S	LW	WK	W	T	RH	TP	LP	LE
ECMA-JC0604SS	166.8	30	27	14	20	5	5	5	11.0	M4, Depth 15	300	300



SHAFT END DETAILS



KEY DETAILS

<b>台達電子工業股份有限公司</b> <b>DELTA ELECTRONICS, INC.</b>		DRAWN:	DESIGN:
		APPROVE:	DATE: 10/21/2013
THESE DRAWINGS AND SPECIFICATIONS ARE THE PROPERTY OF DELTA ELECTRONICS, INC. AND SHALL NOT BE REPRODUCED OR USED AS THE BASIS FOR THE MANUFACTURE OR SELL OF APPARATUS OR DEVICES WITHOUT PERMISSION.		<b>DIMENSIONAL TOLERANCES</b> ( ) ( ) ( ) ( ) ANGLES DECIMALS <50 ±0.1 <50 ±0.15 <50 ±0.2 <30° ±0.1° X ±0.3 >50-100 ±0.15 >50-100 ±0.2 >50-100 ±0.25 >30°-60° ±0.3° X.X ±0.2 >100-200 ±0.2 >100-200 ±0.25 >100-200 ±0.3 >60°-90° ±0.5° X.XX ±0.1 >200 ±0.2 >200 ±0.25 >200 ±0.3	
DESCRIPTION: CONFIDENTIAL MOTOR_F60_BRAKE_380V		A3 SIZE THIRD ANGLE PROJECTION	PART NO.: REV. 00
USED ON	UNIT mm	SCALE	SHEET 1 OF 1

1

2

3

4